



An Introduction to Digital Design Using a Hardware Design Language to Describe and Model a Pipeline and More Pipelining Illustrations

This CD section covers hardware description languages and then a dozen examples of pipeline diagrams, starting on page 4.12-16.

As mentioned in [Appendix C](#), Verilog can describe processors for simulation or with the intention that the Verilog specification be synthesized. To achieve acceptable synthesis results in size and speed, a behavioral specification intended for synthesis must carefully delineate the highly combinational portions of the design, such as a datapath, from the control. The datapath can then be synthesized using available libraries. A Verilog specification intended for synthesis is usually longer and more complex.

We start with a behavioral model of the 5-stage pipeline. To illustrate the dichotomy between behavioral and synthesizable designs, we then give two Verilog descriptions of a multiple-cycle-per-instruction MIPS processor: one intended solely for simulations and one suitable for synthesis.

Using Verilog for Behavioral Specification with Simulation for the 5-Stage Pipeline

Figure 4.12.1 shows a Verilog behavioral description of the pipeline that handles ALU instructions as well as loads and stores. It does not accommodate branches (even incorrectly!), which we postpone including until later in the chapter.

Because Verilog lacks the ability to define registers with named fields such as structures in C, we use several independent registers for each pipeline register. We name these registers with a prefix using the same convention; hence, IFIDIR is the IR portion of the IFID pipeline register.

This version is a behavioral description not intended for synthesis. Instructions take the same number of clock cycles as our hardware design, but the control is done in a simpler fashion by repeatedly decoding fields of the instruction in each pipe stage. Because of this difference, the instruction register (IR) is needed throughout the pipeline, and the entire IR is passed from pipe stage to pipe stage. As you read the Verilog descriptions in this chapter, remember that the actions in the `always` block all occur in parallel on every clock cycle. Since there are no blocking assignments, the order of the events within the `always` block is arbitrary.

```

module CPU (clock);
    // Instruction opcodes
    parameter LW = 6'b100011, SW = 6'b101011, BEQ = 6'b000100, no-op = 32'b00000_100000, ALUop = 6'b0;
    input clock;
    reg[31:0] PC, Regs[0:31], IMemory[0:1023], DMemory[0:1023], // separate memories
        IFIDIR, IDEXA, IDEXB, IDEXIR, EXMEMIR, EXMEMB, // pipeline registers
        EXMEMALUOut, MEMWBValue, MEMWBIR; // pipeline registers
    wire [4:0] IDEXrs, IDEXrt, EXMEMrd, MEMWBrd, MEMWBrt; // Access register fields
    wire [5:0] EXMEMop, MEMWBop, IDEXop; // Access opcodes
    wire [31:0] Ain, Bin; // the ALU inputs
    // These assignments define fields from the pipeline registers
    assign IDEXrs = IDEXIR[25:21]; // rs field
    assign IDEXrt = IDEXIR[20:16]; // rt field
    assign EXMEMrd = EXMEMIR[15:11]; // rd field
    assign MEMWBrd = MEMWBIR[15:11]; //rd field
    assign MEMWBrt = MEMWBIR[20:16]; //rt field--used for loads
    assign EXMEMop = EXMEMIR[31:26]; // the opcode
    assign MEMWBop = MEMWBIR[31:26]; // the opcode
    assign IDEXop = IDEXIR[31:26]; // the opcode
    // Inputs to the ALU come directly from the ID/EX pipeline registers
    assign Ain = IDEXA;
    assign Bin = IDEXB;
    reg [5:0] i; //used to initialize registers
    initial begin
        PC = 0;
        IFIDIR = no-op; IDEXIR = no-op; EXMEMIR = no-op; MEMWBIR = no-op; // put no-ops in pipeline registers
        for (i=0;i<=31;i=i+1) Regs[i] = i; //initialize registers--just so they aren't cares
    end
    always @ (posedge clock) begin
        // Remember that ALL these actions happen every pipe stage and with the use of <= they happen in parallel!
        // first instruction in the pipeline is being fetched
        IFIDIR <= IMemory[PC>>2];
        PC <= PC + 4;
    end // Fetch & increment PC
    // second instruction in pipeline is fetching registers
    IDEXA <= Regs[IFIDIR[25:21]]; IDEXB <= Regs[IFIDIR[20:16]]; // get two registers
    IDEXIR <= IFIDIR; //pass along IR--can happen anywhere, since this affects next stage only!
    // third instruction is doing address calculation or ALU operation
    if ((IDEXop==LW) |(IDEXop==SW)) // address calculation
        EXMEMALUOut <= IDEXA +{{16{IDEXIR[15]}}, IDEXIR[15:0]};
    else if (IDEXop==ALUop) case (IDEXIR[5:0]) //case for the various R-type instructions
        32: EXMEMALUOut <= Ain + Bin; //add operation
        default: ; //other R-type operations: subtract, SLT, etc.
    endcase
end

```

FIGURE 4.12.1 A Verilog behavioral model for the MIPS five-stage pipeline, ignoring branch and data hazards. As in the design earlier in Chapter 4, we use separate instruction and data memories, which would be implemented using separate caches as we describe in Chapter 5. (continues on next page)

```

EXMEMIR <= IDEXIR; EXMEMB <= IDEXB; //pass along the IR & B register
//Mem stage of pipeline
if (EXMEMop==ALUop) MEMWBValue <= EXMEMALUOut; //pass along ALU result
    else if (EXMEMop == LW) MEMWBValue <= DMemory[EXMEMALUOut>>2];
    else if (EXMEMop == SW) DMemory[EXMEMALUOut>>2] <=EXMEMB; //store
MEMWBIR <= EXMEMIR; //pass along IR
// the WB stage
if ((MEMWBop==ALUop) & (MEMWBrd != 0)) // update registers if ALU operation and destination not 0
    Regs[MEMWBrd] <= MEMWBValue; // ALU operation
    else if ((EXMEMop == LW)& (MEMWBrt != 0)) // Update registers if load and destination not 0
        Regs[MEMWBrt] <= MEMWBValue;
end
endmodule

```

FIGURE 4.12.1 A Verilog behavioral model for the MIPS five-stage pipeline, ignoring branch and data hazards. (continued)

Implementing Forwarding in Verilog

To further extend the Verilog model, Figure 4.12.2 shows the addition of forwarding logic for the case when the source instruction is an ALU instruction and the source. Neither load stalls nor branches are handled; we will add these shortly. The changes from the earlier Verilog description are highlighted.

Someone has proposed moving the write for a result from an ALU instruction from the WB to the MEM stage, pointing out that this would reduce the maximum length of forwards from an ALU instruction by one cycle. Which of the following are accurate reasons *not* to consider such a change?

**Check
Yourself**

1. It would not actually change the forwarding logic, so it has no advantage.
2. It is impossible to implement this change under any circumstance since the write for the ALU result must stay in the same pipe stage as the write for a load result.
3. Moving the write for ALU instructions would create the possibility of writes occurring from two different instructions during the same clock cycle. Either an extra write port would be required on the register file or a structural hazard would be created.
4. The result of an ALU instruction is not available in time to do the write during MEM.

```

module CPU (clock);
parameter LW = 6'b100011, SW = 6'b101011, BEQ = 6'b000100, no-op = 32'b00000_100000, ALUop = 6'b0;
input clock;
    reg[31:0] PC, Regs[0:31], IMemory[0:1023], DMemory[0:1023], // separate memories
            IFIDIR, IDEXA, IDEXB, IDEXIR, EXMEMIR, EXMEMB, // pipeline registers
            EXMEMALUOut, MEMWBValue, MEMWBIR; // pipeline registers
    wire [4:0] IDEXrs, IDEXrt, EXMEMrd, MEMWBrd, MEMWBrt; //hold register fields
    wire [5:0] EXMEMop, MEMWBop, IDEXop; Hold opcodes
    wire [31:0] Ain, Bin;

// declare the bypass signals
    wire bypassAfromMEM, bypassAfromALUinWB, bypassBfromMEM, bypassBfromALUinWB,
        bypassAfromLWinWB, bypassBfromLWinWB;

    assign IDEXrs = IDEXIR[25:21];    assign IDEXrt = IDEXIR[15:11];    assign EXMEMrd = EXMEMIR[15:11];
    assign MEMWBrd = MEMWBIR[20:16]; assign EXMEMop = EXMEMIR[31:26];
    assign MEMWBrt = MEMWBIR[25:20];
    assign MEMWBop = MEMWBIR[31:26]; assign IDEXop = IDEXIR[31:26];

    // The bypass to input A from the MEM stage for an ALU operation
    assign bypassAfromMEM = (IDEXrs == EXMEMrd) & (IDEXrs!=0) & (EXMEMop==ALUop); // yes, bypass

    // The bypass to input B from the MEM stage for an ALU operation
    assign bypassBfromMEM = (IDEXrt == EXMEMrd)&(IDEXrt!=0) & (EXMEMop==ALUop); // yes, bypass

    // The bypass to input A from the WB stage for an ALU operation
    assign bypassAfromALUinWB = ( IDEXrs == MEMWBrd) & (IDEXrs!=0) & (MEMWBop==ALUop);
    // The bypass to input B from the WB stage for an ALU operation
    assign bypassBfromALUinWB = (IDEXrt == MEMWBrd) & (IDEXrt!=0) & (MEMWBop==ALUop); /

    // The bypass to input A from the WB stage for an LW operation
    assign bypassAfromLWinWB = ( IDEXrs == MEMWBIR[20:16]) & (IDEXrs!=0) & (MEMWBop==LW);
    // The bypass to input B from the WB stage for an LW operation
    assign bypassBfromLWinWB = (IDEXrt == MEMWBIR[20:16]) & (IDEXrt!=0) & (MEMWBop==LW);

    // The A input to the ALU is bypassed from MEM if there is a bypass there,
    // Otherwise from WB if there is a bypass there, and otherwise comes from the IDEX register
    assign Ain = bypassAfromMEM? EXMEMALUOut :
        (bypassAfromALUinWB | bypassAfromLWinWB)? MEMWBValue : IDEXA;

    // The B input to the ALU is bypassed from MEM if there is a bypass there,
    // Otherwise from WB if there is a bypass there, and otherwise comes from the IDEX register
    assign Bin = bypassBfromMEM? EXMEMALUOut :
        (bypassBfromALUinWB | bypassBfromLWinWB)? MEMWBValue: IDEXB;

    reg [5:0] i; //used to initialize registers
    initial begin
        PC = 0;
        IFIDIR = no-op; IDEXIR = no-op; EXMEMIR = no-op; MEMWBIR = no-op; // put no-ops in pipeline registers
        for (i = 0; i<=31; i = i+1) Regs[i] = i; //initialize registers--just so they aren't cares
    end

    always @ (posedge clock) begin
        // first instruction in the pipeline is being fetched
        IFIDIR <= IMemory[PC>>2];
        PC <= PC + 4;
    end // Fetch & increment PC

```

FIGURE 4.12.2 A behavioral definition of the five-stage MIPS pipeline with bypassing to ALU operations and address calculations. The code added to Figure 4.12.1 to handle bypassing is highlighted. Because these bypasses only require changing where the ALU inputs come from, the only changes required are in the combinational logic responsible for selecting the ALU inputs. (*continues on next page*)

```

// second instruction is in register fetch
  IDEXA <= Regs[IFIDIR[25:21]]; IDEXB <= Regs[IFIDIR[20:16]]; // get two registers
  IDEXIR <= IFIDIR; //pass along IR--can happen anywhere, since this affects next stage only!
// third instruction is doing address calculation or ALU operation
  if ((IDEXop==LW) |(IDEXop==SW)) // address calculation & copy B
EXMEMALUOut <= IDEXA +{{16{IDEXIR[15]}}, IDEXIR[15:0]};
else if (IDEXop==ALUop) case (IDEXIR[5:0]) //case for the various R-type instructions
  32: EXMEMALUOut <= Ain + Bin; //add operation
  default: ; //other R-type operations: subtract, SLT, etc.
endcase

EXMEMIR <= IDEXIR; EXMEMB <= IDEXB; //pass along the IR & B register
//Mem stage of pipeline
  if (EXMEMop==ALUop) MEMWBValue <= EXMEMALUOut; //pass along ALU result
  else if (EXMEMop == LW) MEMWBValue <= DMemory[EXMEMALUOut>>2];
  else if (EXMEMop == SW) DMemory[EXMEMALUOut>>2] <=EXMEMB; //store
  MEMWBIR <= EXMEMIR; //pass along IR
// the WB stage
  if ((MEMWBop==ALUop) & (MEMWBrd != 0)) Regs[MEMWBrd] <= MEMWBValue; // ALU operation
  else if ((EXMEMop == LW)& (MEMWBrt != 0)) Regs[MEMWBrt] <= MEMWBValue;
end
endmodule

```

FIGURE 4.12.2 A behavioral definition of the five-stage MIPS pipeline with bypassing to ALU operations and address calculations. (continued)

The Behavioral Verilog with Stall Detection

If we ignore branches, stalls for data hazards in the MIPS pipeline are confined to one simple case: loads whose results are currently in the WB clock stage. Thus, extending the Verilog to handle a load with a destination that is either an ALU instruction or an effective address calculation is reasonably straightforward, and Figure 4.12.3 shows the few additions needed.

Someone has asked about the possibility of data hazards occurring through memory, as opposed to through a register. Which of the following statements about such hazards are true?

Check Yourself

1. Since memory accesses only occur in the MEM stage, all memory operations are done in the same order as instruction execution, making such hazards impossible in this pipeline.
2. Such hazards *are* possible in this pipeline; we just have not discussed them yet.
3. No pipeline can ever have a hazard involving memory, since it is the programmer's job to keep the order of memory references accurate.

```

module CPU (clock);
parameter LW = 6'b100011, SW = 6'b101011, BEQ = 6'b000100, no-op = 32'b00000_100000, ALUop = 6'b0;
input clock;
  reg[31:0] PC, Regs[0:31], IMemory[0:1023], DMemory[0:1023], // separate memories
  IFIDIR, IDEXA, IDEXB, IDEXIR, EXMEMIR, EXMEMB, // pipeline registers
  EXMEMALUOut, MEMWBValue, MEMWBIR; // pipeline registers
  wire [4:0] IDEXrs, IDEXrt, EXMEMrd, MEMWBrd, MEMWBrt; //hold register fields
  wire [5:0] EXMEMop, MEMWBop, IDEXop; Hold opcodes
  wire [31:0] Ain, Bin;

// declare the bypass signals
wire stall, bypassAfromMEM, bypassAfromALUinWB, bypassBfromMEM, bypassBfromALUinWB,
  bypassAfromLWinWB, bypassBfromLWinWB;

assign IDEXrs = IDEXIR[25:21];   assign IDEXrt = IDEXIR[15:11];   assign EXMEMrd = EXMEMIR[15:11];
assign MEMWBrd = MEMWBIR[20:16]; assign EXMEMop = EXMEMIR[31:26];
  assign MEMWBrt = MEMWBIR[25:20];
assign MEMWBop = MEMWBIR[31:26]; assign IDEXop = IDEXIR[31:26];
// The bypass to input A from the MEM stage for an ALU operation
assign bypassAfromMEM = (IDEXrs == EXMEMrd) & (IDEXrs!=0) & (EXMEMop==ALUop); // yes, bypass
// The bypass to input B from the MEM stage for an ALU operation
assign bypassBfromMEM = (IDEXrt== EXMEMrd)&(IDEXrt!=0) & (EXMEMop==ALUop); // yes, bypass
// The bypass to input A from the WB stage for an ALU operation
assign bypassAfromALUinWB = ( IDEXrs == MEMWBrd) & (IDEXrs!=0) & (MEMWBop==ALUop);
// The bypass to input B from the WB stage for an ALU operation
assign bypassBfromALUinWB = (IDEXrt==MEMWBrd) & (IDEXrt!=0) & (MEMWBop==ALUop); /
// The bypass to input A from the WB stage for an LW operation
assign bypassAfromLWinWB = ( IDEXrs ==MEMWBIR[20:16]) & (IDEXrs!=0) & (MEMWBop==LW);
// The bypass to input B from the WB stage for an LW operation
assign bypassBfromLwinWB = (IDEXrt==MEMWBIR[20:16]) & (IDEXrt!=0) & (MEMWBop==LW);
// The A input to the ALU is bypassed from MEM if there is a bypass there,
// Otherwise from WB if there is a bypass there, and otherwise comes from the IDEX register
assign Ain = bypassAfromMEM? EXMEMALUOut :
  (bypassAfromALUinWB | bypassAfromLWinWB)? MEMWBValue : IDEXA;
// The B input to the ALU is bypassed from MEM if there is a bypass there,
// Otherwise from WB if there is a bypass there, and otherwise comes from the IDEX register
assign Bin = bypassBfromMEM? EXMEMALUOut :
  (bypassBfromALUinWB | bypassBfromLwinWB)? MEMWBValue: IDEXB;

// The signal for detecting a stall based on the use of a result from LW
assign stall = (MEMWBIR[31:26]==LW) && // source instruction is a load
  (((IDEXop==LW)|(IDEXop==SW)) && (IDEXrs==MEMWBrd)) | // stall for address calc
  ((IDEXop==ALUop) && ((IDEXrs==MEMWBrd)|(IDEXrt==MEMWBrd))); // ALU use
reg [5:0] i; //used to initialize registers
initial begin
  PC = 0;
  IFIDIR = no-op; IDEXIR = no-op; EXMEMIR = no-op; MEMWBIR = no-op; // put no-ops in pipeline registers
  for (i = 0; i<=31; i = i+1) Regs[i] = i; //initialize registers--just so they aren't cares
end
always @ (posedge clock) begin
  if (~stall) begin // the first three pipeline stages stall if there is a load hazard

```

FIGURE 4.12.3 A behavioral definition of the five-stage MIPS pipeline with stalls for loads when the destination is an ALU instruction or effective address calculation. The changes from Figure 4.12.2 are highlighted. (continues on next page)

```

// first instruction in the pipeline is being fetched
  IFIDIR <= IMemory[PC>>2];
  PC <= PC + 4;

  IDEXIR <= IFIDIR; //pass along IR--can happen anywhere, since this affects next stage only!
// second instruction is in register fetch
  IDEXA <= Regs[IFIDIR[25:21]]; IDEXB <= Regs[IFIDIR[20:16]]; // get two registers
// third instruction is doing address calculation or ALU operation
  if ((IDEXop==LW) |(IDEXop==SW)) // address calculation & copy B
    EXMEMALUOut <= IDEXA +{{16{IDEXIR[15]}}}, IDEXIR[15:0]];
  else if (IDEXop==ALUop) case (IDEXIR[5:0]) //case for the various R-type instructions
    32: EXMEMALUOut <= Ain + Bin; //add operation
    default: ; //other R-type operations: subtract, SLT, etc.
  endcase
  EXMEMIR <= IDEXIR; EXMEMB <= IDEXB; //pass along the IR & B register
end
else EXMEMIR <= no-op; //Freeze first three stages of pipeline; inject a nop into the EX output
//Mem stage of pipeline
  if (EXMEMop==ALUop) MEMWBValue <= EXMEMALUOut; //pass along ALU result
  else if (EXMEMop == LW) MEMWBValue <= DMemory[EXMEMALUOut>>2];
  else if (EXMEMop == SW) DMemory[EXMEMALUOut>>2] <=EXMEMB; //store
  MEMWBIR <= EXMEMIR; //pass along IR
// the WB stage
if ((MEMWBop==ALUop) & (MEMWBrd != 0)) Regs[MEMWBrd] <= MEMWBValue; // ALU operation
else if ((EXMEMop == LW)& (MEMWBrt != 0)) Regs[MEMWBrt] <= MEMWBValue;
end
endmodule

```

FIGURE 4.12.3 A behavioral definition of the five-stage MIPS pipeline with stalls for loads when the destination is an ALU instruction or effective address calculation. (*continued*)

4. Memory hazards may be possible in some pipelines, but they cannot occur in this particular pipeline.
5. Although the pipeline control would be obligated to maintain ordering among memory references to avoid hazards, it is impossible to design a pipeline where the references could be out of order.

Implementing the Branch Hazard Logic in Verilog

We can extend our Verilog behavioral model to implement the control for branches. We add the code to model branch equal using a “predict not taken” strategy. The Verilog code is shown in Figure 4.12.4. It implements the branch hazard by detecting a taken branch in ID and using that signal to squash the instruction in IF (by setting the IR to 0, which is an effective no-op in MIPS-32); in addition, the PC is assigned to the branch target. Note that to prevent an unexpected latch, it is important that the PC is clearly assigned on every path through the always block; hence, we assign the PC in a single *if* statement. Lastly, note that although Figure 4.12.4 incorporates the basic logic for branches and control hazards, the incorporation of branches requires additional bypassing and data hazard detection, which we have not included.

```

module CPU (clock);
parameter LW = 6'b100011, SW = 6'b101011, BEQ = 6'b000100, no-op = 32'b0000000_0000000_0000000_0000000, ALUop = 6'b0;
input clock;
  reg[31:0] PC, Regs[0:31], IMemory[0:1023], DMemory[0:1023], // separate memories
  IFIDIR, IDEXA, IDEXB, IDEXIR, EXMEMIR, EXMEMB, // pipeline registers
  EXMEMALUOut, MEMWBValue, MEMWBIR; // pipeline registers
wire [4:0] IDEXrs, IDEXrt, EXMEMrd, MEMWBrd; //hold register fields
wire [5:0] EXMEMop, MEMWBop, IDEXop; Hold opcodes
wire [31:0] Ain, Bin;
// declare the bypass signals
wire takebranch, stall, bypassAfromMEM, bypassAfromALUinWB, bypassBfromMEM, bypassBfromALUinWB,
  bypassAfromLWinWB, bypassBfromLWinWB;
assign IDEXrs = IDEXIR[25:21]; assign IDEXrt = IDEXIR[15:11]; assign EXMEMrd = EXMEMIR[15:11];
assign MEMWBrd = MEMWBIR[20:16]; assign EXMEMop = EXMEMIR[31:26];
assign MEMWBop = MEMWBIR[31:26]; assign IDEXop = IDEXIR[31:26];
// The bypass to input A from the MEM stage for an ALU operation
assign bypassAfromMEM = (IDEXrs == EXMEMrd) & (IDEXrs!=0) & (EXMEMop==ALUop); // yes, bypass
// The bypass to input B from the MEM stage for an ALU operation
assign bypassBfromMEM = (IDEXrt == EXMEMrd)&(IDEXrt!=0) & (EXMEMop==ALUop); // yes, bypass
// The bypass to input A from the WB stage for an ALU operation
assign bypassAfromALUinWB =( IDEXrs == MEMWBrd) & (IDEXrs!=0) & (MEMWBop==ALUop);
// The bypass to input B from the WB stage for an ALU operation
assign bypassBfromALUinWB = (IDEXrt == MEMWBrd) & (IDEXrt!=0) & (MEMWBop==ALUop); /
// The bypass to input A from the WB stage for an LW operation
assign bypassAfromLWinWB =( IDEXrs == MEMWBIR[20:16]) & (IDEXrs!=0) & (MEMWBop==LW);
// The bypass to input B from the WB stage for an LW operation
assign bypassBfromLwinWB = (IDEXrt == MEMWBIR[20:16]) & (IDEXrt!=0) & (MEMWBop==LW);
// The A input to the ALU is bypassed from MEM if there is a bypass there,
// Otherwise from WB if there is a bypass there, and otherwise comes from the IDEX register
assign Ain = bypassAfromMEM? EXMEMALUOut :
  (bypassAfromALUinWB | bypassAfromLWinWB)? MEMWBValue : IDEXA;
// The B input to the ALU is bypassed from MEM if there is a bypass there,
// Otherwise from WB if there is a bypass there, and otherwise comes from the IDEX register
assign Bin = bypassBfromMEM? EXMEMALUOut :
  (bypassBfromALUinWB | bypassBfromLwinWB)? MEMWBValue: IDEXB;
// The signal for detecting a stall based on the use of a result from LW
assign stall = (MEMWBIR[31:26]==LW) && // source instruction is a load
  (((IDEXop==LW)|(IDEXop==SW)) && (IDEXrs==MEMWBrd)) | // stall for address calc
  ((IDEXop==ALUop) && ((IDEXrs==MEMWBrd)|(IDEXrt==MEMWBrd))); // ALU use

```

FIGURE 4.12.4 A behavioral definition of the five-stage MIPS pipeline with stalls for loads when the destination is an ALU instruction or effective address calculation. The changes from Figure 4.12.2 are highlighted. (continues on next page)


```

// Signal for a taken branch: instruction is BEQ and registers are equal
assign takebranch = (IFIDIR[31:26]==BEQ) && (Regs[IFIDIR[25:21]]== Regs[IFIDIR[20:16]]);
reg [5:0] i; //used to initialize registers
initial begin
    PC = 0;
    IFIDIR = no-op; IDEXIR = no-op; EXMEMIR = no-op; MEMWBIR = no-op; // put no-ops in pipeline registers
    for (i = 0;i<=31;i = i+1) Regs[i] = i; //initialize registers--just so they aren't don't cares
end
always @ (posedge clock) begin
    if (~stall) begin // the first three pipeline stages stall if there is a load hazard
        if (~takebranch) begin // first instruction in the pipeline is being fetched normally
            IFIDIR <= IMemory[PC>>2];
            PC <= PC + 4;

            end else begin // a taken branch is in ID; instruction in IF is wrong; insert a no-op and reset the PC
                IFIDIR <= no-op;
                PC <= PC + 4 + ({16{IFIDIR[15]}}, IFIDIR[15:0])<<2);
            end

            // second instruction is in register fetch
            IDEXA <= Regs[IFIDIR[25:21]]; IDEXB <= Regs[IFIDIR[20:16]]; // get two registers
            // third instruction is doing address calculation or ALU operation
            IDEXIR <= IFIDIR; //pass along IR
            if ((IDEXop==LW) |(IDEXop==SW)) // address calculation & copy B
                EXMEMALUOut <= IDEXA +({16{IDEXIR[15]}}, IDEXIR[15:0]);
            else if (IDEXop==ALUop) case (IDEXIR[5:0]) //case for the various R-type instructions
                32: EXMEMALUOut <= Ain + Bin; //add operation
                default: ; //other R-type operations: subtract, SLT, etc.
            endcase
            EXMEMIR <= IDEXIR; EXMEMB <= IDEXB; //pass along the IR & B register
        end
        else EXMEMIR <= no-op; //Freeze first three stages of pipeline; inject a nop into the EX output

            //Mem stage of pipeline
            if (EXMEMop==ALUop) MEMWBValue <= EXMEMALUOut; //pass along ALU result
            else if (EXMEMop == LW) MEMWBValue <= DMemory[EXMEMALUOut>>2];
            else if (EXMEMop == SW) DMemory[EXMEMALUOut>>2] <=EXMEMB; //store

            // the WB stage
            MEMWBIR <= EXMEMIR; //pass along IR
            if ((MEMWBop==ALUop) & (MEMWBrd != 0)) Regs[MEMWBrd] <= MEMWBValue; // ALU operation
            else if ((EXMEMop == LW)& (MEMWBIR[20:16] != 0)) Regs[MEMWBIR[20:16]] <= MEMWBValue;

        end
    endmodule

```

FIGURE 4.12.4 A behavioral definition of the five-stage MIPS pipeline with stalls for loads when the destination is an ALU instruction or effective address calculation. (continued)

Using Verilog for Behavioral Specification with Synthesis

To demonstrate the contrasting types of Verilog, we show two descriptions of a different, nonpipelined implementation style of MIPS that uses multiple clock cycles per instruction. (Since some instructors make a synthesizable description of the MIPS pipeline project for a class, we chose not to include it here. It would also be long.)

Figure 4.12.5 gives a behavioral specification of a multicycle implementation of the MIPS processor. Because of the use of behavioral operations, it would be difficult to synthesize a separate datapath and control unit with any reasonable efficiency. This version demonstrates another approach to the control by using a Mealy finite-state machine (see discussion in Section C.10 of [Appendix C](#)). The use of a Mealy machine, which allows the output to depend both on inputs and the current state, allows us to decrease the total number of states.

Since a version of the MIPS design intended for synthesis is considerably more complex, we have relied on a number of Verilog modules that were specified in [Appendix C](#), including the following:

- The 4-to-1 multiplexor shown in Figure C.4.2, and the 3-to-1 multiplexor that can be trivially derived based on the 4-to-1 multiplexor.
- The MIPS ALU shown in Figure C.5.15.
- The MIPS ALU control defined in Figure C.5.16.
- The MIPS register file defined in Figure C.8.11.

Now, let's look at a Verilog version of the MIPS processor intended for synthesis. Figure 4.12.6 shows the structural version of the MIPS datapath. Figure 4.12.7 uses the datapath module to specify the MIPS CPU. This version also demonstrates another approach to implementing the control unit, as well as some optimizations that rely on relationships between various control signals. Observe that the state machine specification only provides the sequencing actions.

The setting of the control lines is done with a series of `assign` statements that depend on the state as well as the opcode field of the instruction register. If one were to fold the setting of the control into the state specification, this would look like a Mealy-style finite-state control unit. Because the setting of the control lines is specified using `assign` statements outside of the `always` block, most logic synthesis systems will generate a small implementation of a finite-state machine that determines the setting of the state register and then uses external logic to derive the control inputs to the datapath.

In writing this version of the control, we have also taken advantage of a number of insights about the relationship between various control signals as well as situations where we don't care about the control signal value; some examples of these are given in the following elaboration.

```

module CPU (clock);
parameter LW = 6'b100011, SW = 6'b101011, BEQ=6'b000100, J=6'd2;
input clock; //the clock is an external input
// The architecturally visible registers and scratch registers for implementation
reg [31:0] PC, Regs[0:31], Memory [0:1023], IR, ALUOut, MDR, A, B;
reg [2:0] state; // processor state
wire [5:0] opcode; //use to get opcode easily
wire [31:0] SignExtend,PCOffset; //used to get sign-extended offset field
assign opcode = IR[31:26]; //opcode is upper 6 bits
assign SignExtend = {{16{IR[15]}},IR[15:0]}; //sign extension of lower 16 bits of instruction
assign PCOffset = SignExtend << 2; //PC offset is shifted
// set the PC to 0 and start the control in state 0
initial begin PC = 0; state = 1; end

//The state machine--triggered on a rising clock
always @(posedge clock) begin
    Regs[0] = 0; //make R0 0 //shortcut way to make sure R0 is always 0
    case (state) //action depends on the state
        1: begin // first step: fetch the instruction, increment PC, go to next state
            IR <= Memory[PC>>2];
            PC <= PC + 4;
            state = 2; //next state
        end

        2: begin // second step: Instruction decode, register fetch, also compute branch address
            A <= Regs[IR[25:21]];
            B <= Regs[IR[20:16]];
            state = 3;
            ALUOut <= PC + PCOffset; // compute PC-relative branch target
        end

        3: begin // third step: Load-store execution, ALU execution, Branch completion
            state = 4; // default next state
            if ((opcode==LW) |(opcode==SW)) ALUOut <= A + SignExtend; //compute effective address
            else if (opcode==6'b0) case (IR[5:0]) //case for the various R-type instructions
                32: ALUOut = A + B; //add operation
                default: ALUOut = A; //other R-type operations: subtract, SLT, etc.
            endcase
        end
    endcase
end

```

FIGURE 4.12.5 A behavioral specification of the multicycle MIPS design. This has the same cycle behavior as the multicycle design, but is purely for simulation and specification. It cannot be used for synthesis. (*continues on next page*)

```

else if (opcode == BEQ) begin
    if (A==B) PC <= ALUOut; // branch taken--update PC
    state = 1;
end
else if (opcode==J) begin
    PC = {PC[31:28], IR[25:0],2'b00}; // the jump target PC
    state = 1;
end //Jumps
else ; // other opcodes or exception for undefined instruction would go here
end

4: begin
    if (opcode==6'b0) begin //ALU Operation
        Regs[IR[15:11]] <= ALUOut; // write the result
        state = 1;
    end //R-type finishes
    else if (opcode == LW) begin // load instruction
        MDR <= Memory[ALUOut>>2]; // read the memory
        state = 5; // next state
    end
    else if (opcode == LW) begin
        Memory[ALUOut>>2] <= B; // write the memory
        state = 1; // return to state 1
    end //store finishes
    else ; // other instructions go here
end

5: begin // LW is the only instruction still in execution
    Regs[IR[20:16]] = MDR; // write the MDR to the register
    state = 1;
end //complete an LW instruction
endcase
end
endmodule

```

FIGURE 4.12.5 A behavioral specification of the multicycle MIPS design. (continued)

```

module Datapath (ALUOp, RegDst, MemtoReg, MemRead, MemWrite, IorD, RegWrite, IRWrite,
PCWrite, PCWriteCond, ALUSrcA, ALUSrcB, PCSource, opcode, clock); // the control inputs + clock
input [1:0] ALUOp, ALUSrcB, PCSource; // 2-bit control signals
input RegDst, MemtoReg, MemRead, MemWrite, IorD, RegWrite, IRWrite, PCWrite, PCWriteCond,
ALUSrcA, clock; // 1-bit control signals
output [5:0] opcode ;// opcode is needed as an output by control
reg [31:0] PC, Memory [0:1023], MDR,IR, ALUOut; // CPU state + some temporaries
wire [31:0] A,B,SignExtendOffset, PCOffset, ALUResultOut, PCValue, JumpAddr, Writedata, ALUAin,
ALUBin,MemOut; // these are signals derived from registers
wire [3:0] ALUctl; //. the ALU control lines
wire Zero; the Zero out signal from the ALU
wire[4:0] Writereg;// the signal used to communicate the destination register
initial PC = 0; //start the PC at 0

```

```
//Combinational signals used in the datapath
```

```

// Read using word address with either ALUOut or PC as the address source
assign MemOut = MemRead ? Memory[(IorD ? ALUOut : PC)>>2]:0;
assign opcode = IR[31:26];// opcode shortcut

// Get the write register address from one of two fields depending on RegDst
assign Writereg = RegDst ? IR[15:11]: IR[20:16];

// Get the write register data either from the ALUOut or from the MDR
assign Writedata = MemtoReg ? MDR : ALUOut;

// Sign-extend the lower half of the IR from load/store/branch offsets
assign SignExtendOffset = {{16{IR[15]}} ,IR[15:0]}; //sign-extend lower 16 bits;

// The branch offset is also shifted to make it a word offset
assign PCOffset = SignExtendOffset << 2;

// The A input to the ALU is either the rs register or the PC
assign ALUAin = ALUSrcA ? A : PC; //ALU input is PC or A

// Compose the Jump address
assign JumpAddr = {PC[31:28], IR[25:0],2'b00}; //The jump address

```

FIGURE 4.12.6 A Verilog version of the multicycle MIPS datapath that is appropriate for synthesis. This datapath relies on several units from [Appendix C](#). Initial statements do not synthesize, and a version used for synthesis would have to incorporate a reset signal that had this effect. Also note that resetting R0 to 0 on every clock is not the best way to ensure that R0 stays 0; instead, modifying the register file module to produce 0 whenever R0 is read and to ignore writes to R0 would be a more efficient solution. (*continues on next page*)

```

// Creates an instance of the ALU control unit (see the module defined in Figure C.5.16 on page C-38
    // Input ALUOp is control-unit set and used to describe the instruction class as in Chapter 4
    // Input IR[5:0] is the function code field for an ALU instruction
    // Output ALUCtl are the actual ALU control bits as in Chapter 4
    ALUControl alucontroller (ALUOp,IR[5:0],ALUCtl); //ALU control unit

// Creates a 3-to-1 multiplexor used to select the source of the next PC
    // Inputs are ALUResultOut (the incremented PC) , ALUOut (the branch address), the jump target address
    // PCSource is the selector input and PCValue is the multiplexor output
    Mult3to1 PCdatasrc (ALUResultOut,ALUOut,JumpAddr, PCSource , PCValue);

// Creates a 4-to-1 multiplexor used to select the B input of the ALU
    // Inputs are register B,constant 4, sign-extended lower half of IR, sign-extended lower half of IR << 2
    // ALUSrcB is the selector input
    // ALUBin is the multiplexor output
    Mult4to1 ALUBinput (B,32'd4,SignExtendOffset,PCOffset,ALUSrcB,ALUBin);

// Creates a MIPS ALU
    // Inputs are ALUCtl (the ALU control), ALU value inputs (ALUAin, ALUBin)
    // Outputs are ALUResultOut (the 32-bit output) and Zero (zero detection output)
    MIPSALU ALU (ALUCtl, ALUAin, ALUBin, ALUResultOut,Zero); //the ALU

// Creates a MIPS register file
    // Inputs are
    // the rs and rt fields of the IR used to specify which registers to read,
    // Writereg (the write register number), Writedata (the data to be written), RegWrite (indicates a
    // write), the clock
    // Outputs are A and B, the registers read
    registerfile regs (IR[25:21],IR[20:16],Writereg,Writedata,RegWrite,A,B,clock); //Register file

// The clock-triggered actions of the datapath
always @(posedge clock) begin    if (MemWrite) Memory[ALUOut>>2] <= B; // Write memory--must be a store
    ALUOut <= ALUResultOut; //Save the ALU result for use on a later clock cycle
    if (IRWrite) IR <= MemOut; // Write the IR if an instruction fetch
    MDR <= MemOut; // Always save the memory read value
    // The PC is written both conditionally (controlled by PCWrite) and unconditionally
    if (PCWrite || (PCWriteCond & Zero)) PC <=PCValue;
end
endmodule

```

FIGURE 4.12.6 A Verilog version of the multicycle MIPS datapath that is appropriate for synthesis. (continued)

```

module CPU (clock);
    parameter LW = 6'b100011, SW = 6'b101011, BEQ = 6'b000100, J = 6'd2; //constants
    input clock; reg [2:0] state;
    wire [1:0] ALUOp, ALUSrcB, PCSource; wire [5:0] opcode;
    wire RegDst, MemRead, MemWrite, IorD, RegWrite, IRWrite, PCWrite, PCWriteCond,
        ALUSrcA, MemoryOp, IRWwrite, Mem2Reg;
    // Create an instance of the MIPS datapath, the inputs are the control signals; opcode is only output
    Datapath MIPS DP (ALUOp,RegDst,Mem2Reg, MemRead, MemWrite, IorD, RegWrite,
        IRWrite, PCWrite, PCWriteCond, ALUSrcA, ALUSrcB, PCSource, opcode, clock);
    initial begin state = 1; end // start the state machine in state 1
    // These are the definitions of the control signals
    assign IRWrite = (state==1);
    assign Mem2Reg = ~ RegDst;
    assign MemoryOp = (opcode==LW)|(opcode==SW); // a memory operation
    assign ALUOp = ((state==1)|(state==2)|((state==3)&MemoryOp)) ? 2'b00 : // add
        ((state==3)&(opcode==BEQ)) ? 2'b01 : 2'b10; // subtract or use function code
    assign RegDst = ((state==4)&(opcode==0)) ? 1 : 0;
    assign MemRead = (state==1) | ((state==4)&(opcode==LW));
    assign MemWrite = (state==4)&(opcode==SW);
    assign IorD = (state==1) ? 0 : (state==4) ? 1 : X;
    assign RegWrite = (state==5) | ((state==4) &(opcode==0));
    assign PCWrite = (state==1) | ((state==3)&(opcode==J));
    assign PCWriteCond = (state==3)&(opcode==BEQ);
    assign ALUSrcA = ((state==1)|(state==2)) ? 0 : 1;
    assign ALUSrcB = ((state==1) | ((state==3)&(opcode==BEQ))) ? 2'b01 : (state==2) ? 2'b11 :
        ((state==3)&MemoryOp) ? 2'b10 : 2'b00; // memory operation or other
    assign PCSource = (state==1) ? 2'b00 : ((opcode==BEQ) ? 2'b01 : 2'b10);
    // Here is the state machine, which only has to sequence states

    always @(posedge clock) begin // all state updates on a positive clock edge
        case (state)
            1: state = 2; //unconditional next state
            2: state = 3; //unconditional next state
            3: // third step: jumps and branches complete
                state = ((opcode==BEQ) | (opcode==J)) ? 1 : 4;// branch or jump go back else next state
            4: state = (opcode==LW) ? 5 : 1; //R-type and SW finish
            5: state = 1; // go back
        endcase
    end
endmodule

```

FIGURE 4.12.7 The MIPS CPU using the datapath from Figure 4.12.6.

Elaboration: When specifying control, designers often take advantage of knowledge of the control so as to simplify or shorten the control specification. Here are a few examples from the specification in Figures 4.12.6 and 4.12.7.

1. MemtoReg is set only in two cases, and then it is always the inverse of RegDst, so we just use the inverse of RegDst.
2. IRWrite is set only in state 1.
3. The ALU does not operate in every state and, when unused, can safely do anything.
4. RegDst is 1 in only one case and can otherwise be set to 0. In practice it might be better to set it explicitly when needed and otherwise set it to X, as we do for IorD. First, it allows additional logic optimization possibilities through the exploitation of don't-care terms (see [Appendix C](#) for further discussion and examples). Second, it is a more precise specification, and this allows the simulation to more closely model the hardware, possibly uncovering additional errors in the specification.

More Illustrations of Instruction Execution on the Hardware

To reduce the cost of this book, in the third edition we moved sections and figures that were used by a minority of instructors onto a companion CD. This subsection recaptures those figures for readers who would like more supplemental material to better understand pipelining. These are all single-clock-cycle pipeline diagrams, which take many figures to illustrate the execution of a sequence of instructions.

The three examples are for code with no hazards, an example of forwarding on the pipelined implementation, and an example of bypassing on the pipelined implementation.

No Hazard Illustrations

On page 356, we gave the example code sequence

```
lw    $10, 20($1)
sub   $11, $2, $3
```

Figures 4.43 and 4.44 showed the multiple-clock-cycle pipeline diagrams for this two-instruction sequence executing across six clock cycles. Figures 4.12.8 through 4.12.10 show the corresponding single-clock-cycle pipeline diagrams for these two instructions. Note that the order of the instructions differs between these two types of diagrams: the newest instruction is at the *bottom and to the right* of the multiple-clock-cycle pipeline diagram, and it is on the *left* in the single-clock-cycle pipeline diagram.

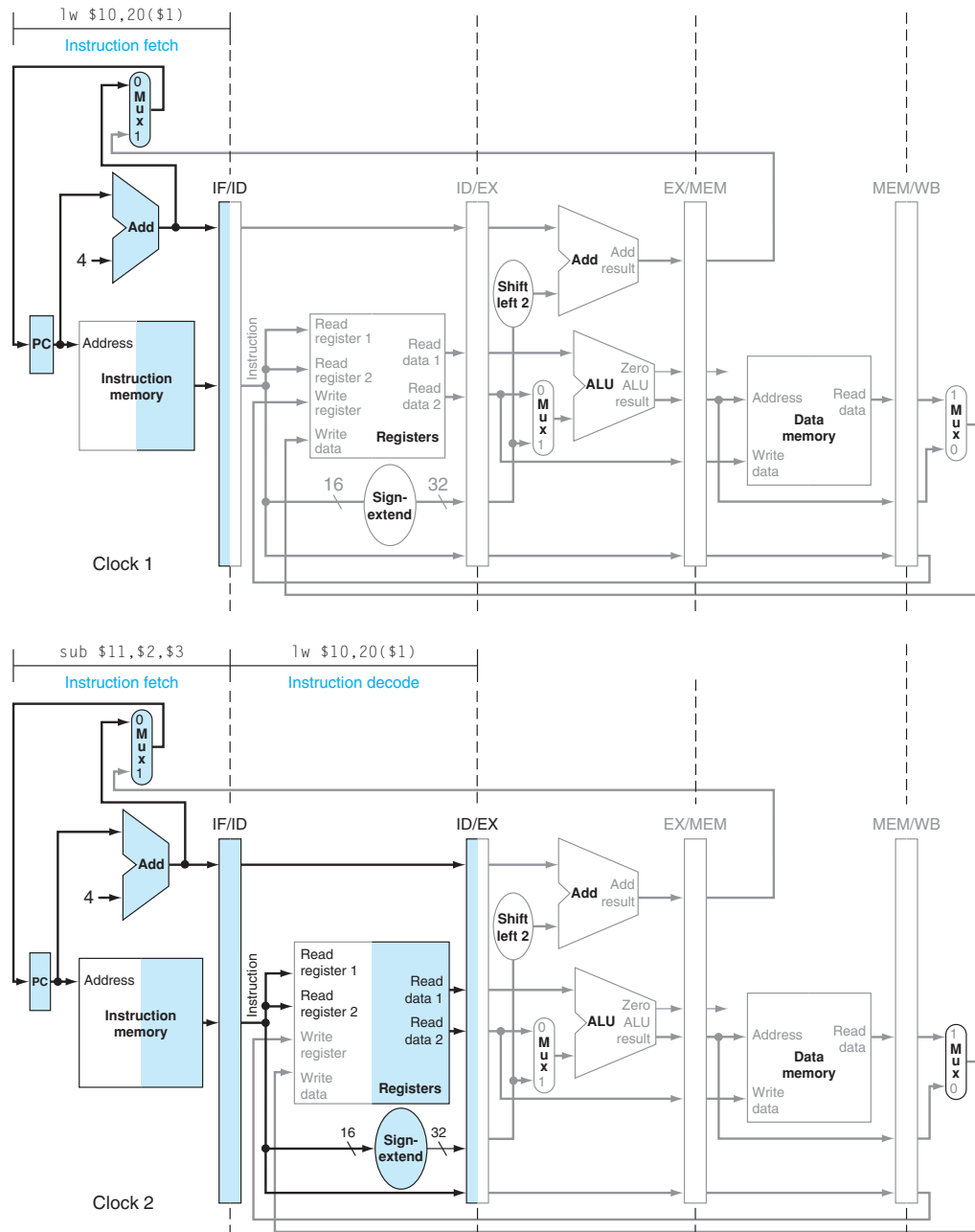


FIGURE 4.12.8 Single-cycle pipeline diagrams for clock cycles 1 (top diagram) and 2 (bottom diagram). This style of pipeline representation is a snapshot of every instruction executing during one clock cycle. Our example has but two instructions, so at most two stages are identified in each cycle; normally, all five stages are occupied. The highlighted portions of the datapath are active in that clock cycle. The load is fetched in clock cycle 1 and decoded in clock cycle 2, with the subtract fetched in the second clock cycle. To make the figures easier to understand, the other pipeline stages are empty, but normally there is an instruction in every pipeline stage.

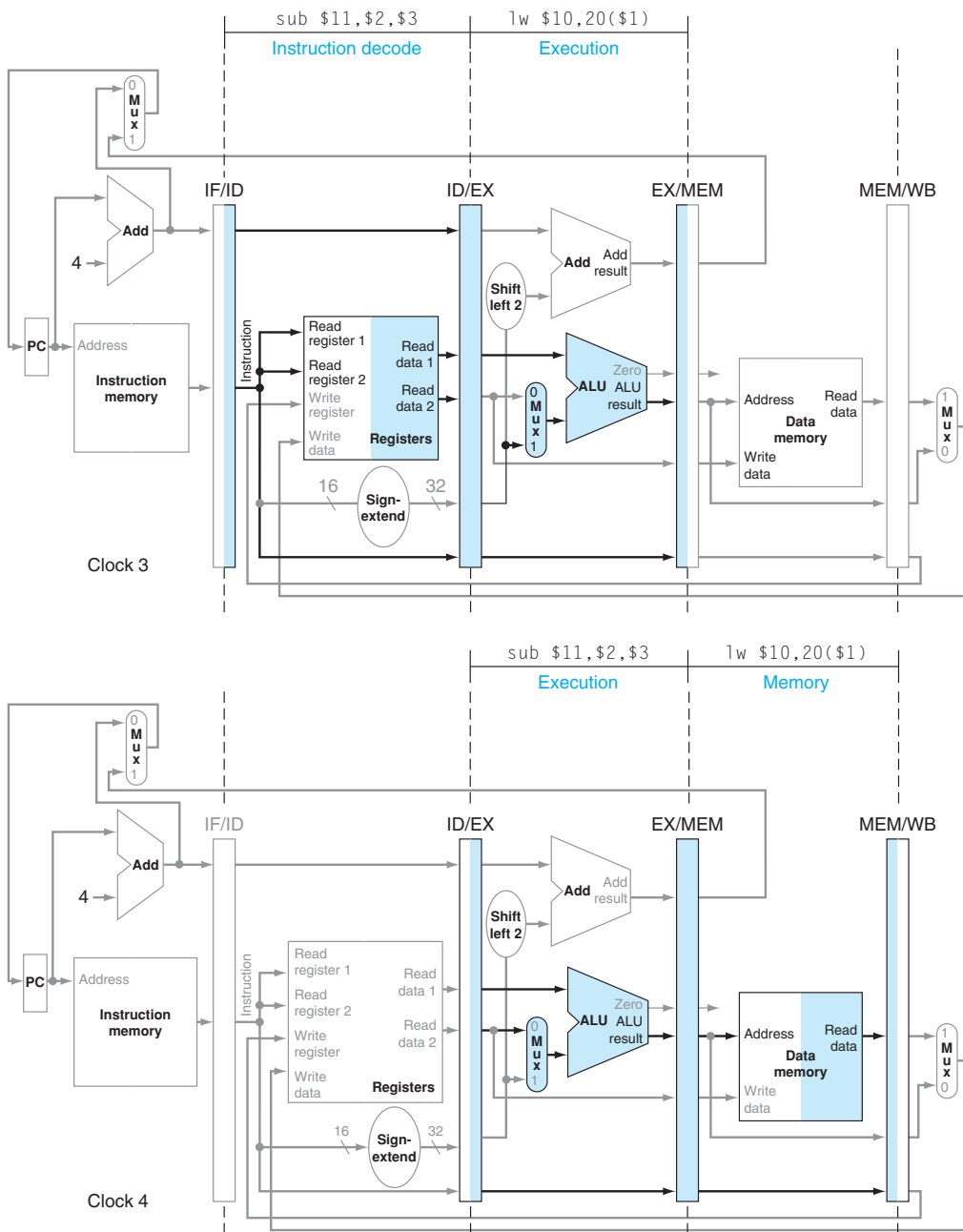


FIGURE 4.12.9 Single-cycle pipeline diagrams for clock cycles 3 (top diagram) and 4 (bottom diagram). In the third clock cycle in the top diagram, `lw` enters the EX stage. At the same time, `sub` enters ID. In the fourth clock cycle (bottom datapath), `lw` moves into MEM stage, reading memory using the address found in EX/MEM at the beginning of clock cycle 4. At the same time, the ALU subtracts and then places the difference into EX/MEM at the end of the clock cycle.

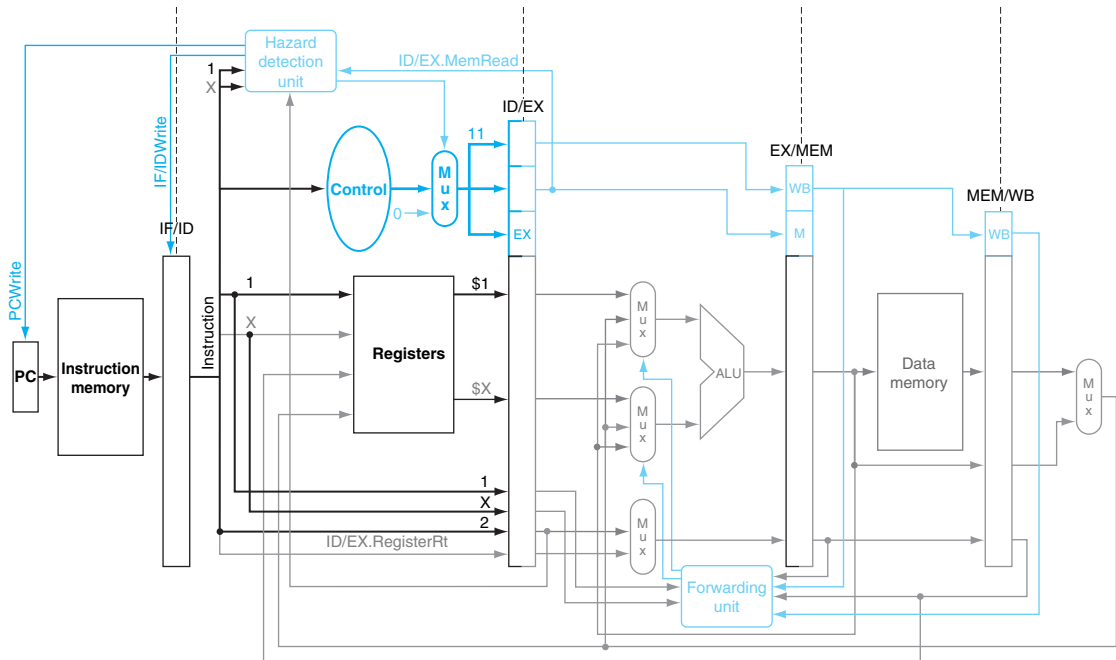


FIGURE 4.12.10 Single-cycle pipeline diagrams for clock cycles 5 (top diagram) and 6 (bottom diagram). In clock cycle 5, `lw` completes by writing the data in MEM/WB into register 10, and `sub` sends the difference in EX/MEM to MEM/WB. In the next clock cycle, `sub` writes the value in MEM/WB to register 11.

More Examples

To understand how pipeline control works, let's consider these five instructions going through the pipeline:

```
lw    $10, 20($1)
sub   $11, $2, $3
and   $12, $4, $5
or    $13, $6, $7
add   $14, $8, $9
```

Figures 4.12.11 through 4.12.15 show these instructions proceeding through the nine clock cycles it takes them to complete execution, highlighting what is active in a

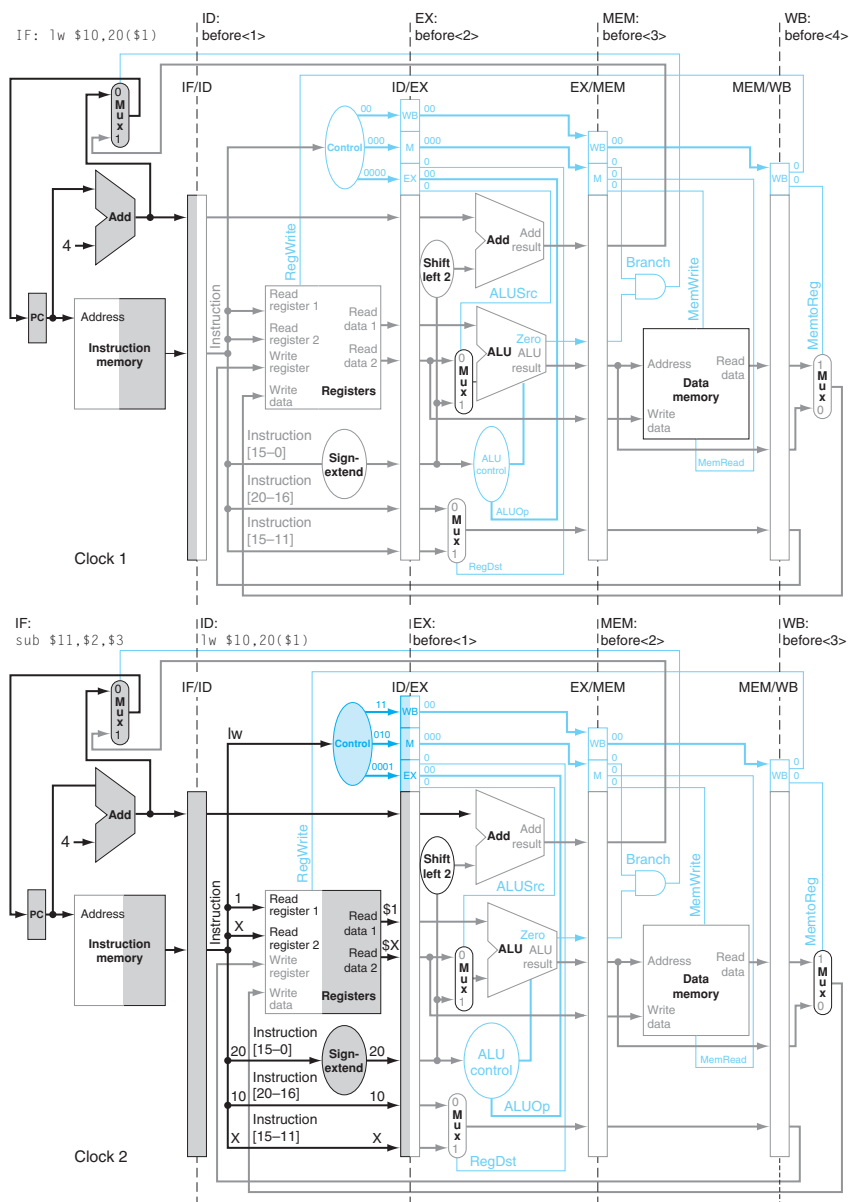


FIGURE 4.12.11 Clock cycles 1 and 2. The phrase “before i ” means the i th instruction before `lw`. The `lw` instruction in the top datapath is in the IF stage. At the end of the clock cycle, the `lw` instruction is in the IF/ID pipeline registers. In the second clock cycle, seen in the bottom datapath, the `lw` moves to the ID stage, and `sub` enters in the IF stage. Note that the values of the instruction fields and the selected source registers are shown in the ID stage. Hence register `$t1` and the constant `20`, the operands of `lw`, are written into the ID/EX pipeline register. The number `10`, representing the destination register number of `lw`, is also placed in ID/EX. Bits 15–11 are 0, but we use `X` to show that a field plays no role in a given instruction. The top of the ID/EX pipeline register shows the control values for `lw` to be used in the remaining stages. These control values can be read from the `lw` row of the table in Figure 4.18.

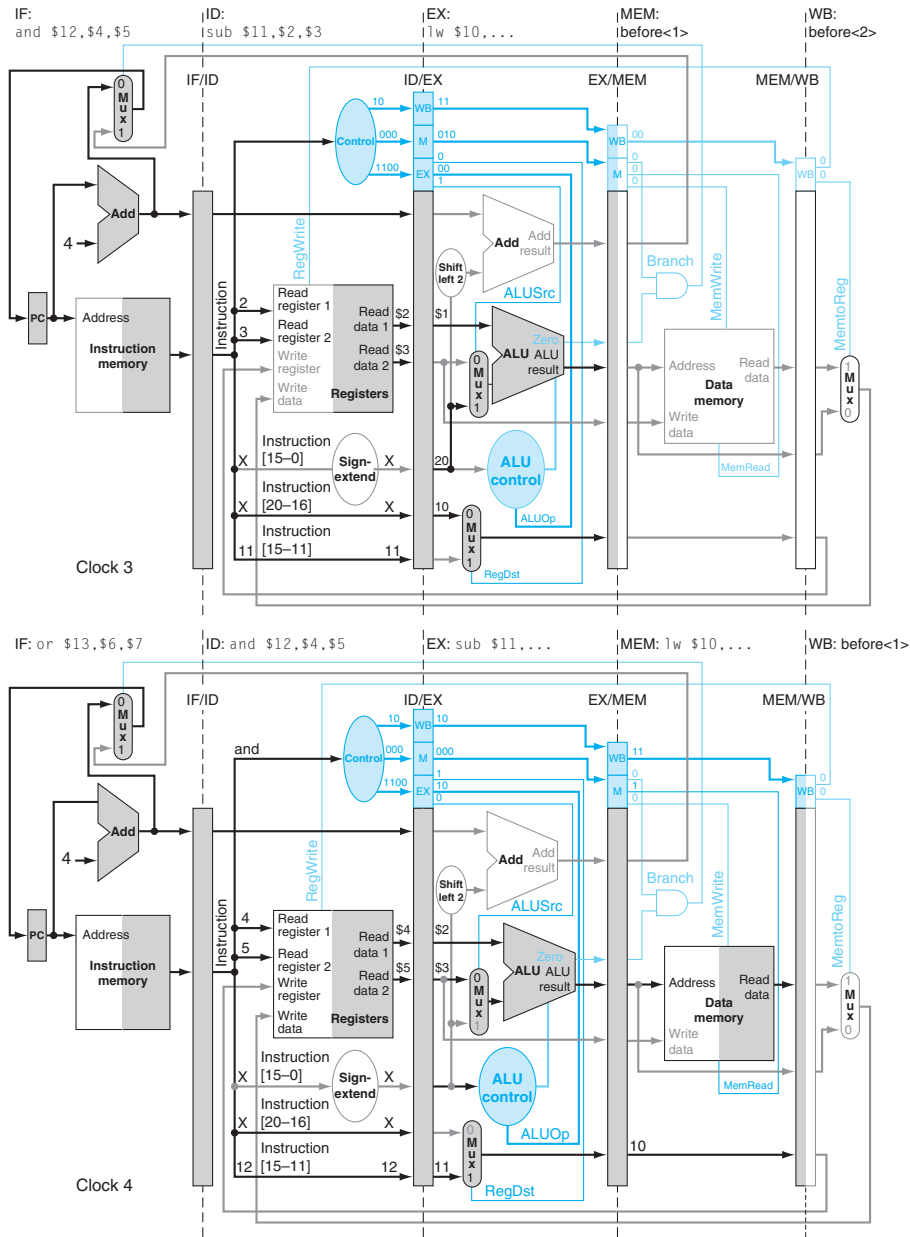


FIGURE 4.12.12 Clock cycles 3 and 4. In the top diagram, `lw` enters the EX stage in the third clock cycle, adding `$1` and `20` to form the address in the EX/MEM pipeline register. (The `lw` instruction is written `lw $10, ...` upon reaching EX, because the identity of instruction operands is not needed by EX or the subsequent stages. In this version of the pipeline, the actions of EX, MEM, and WB depend only on the instruction and its destination register or its target address.) At the same time, `sub` enters ID, reading registers `$2` and `$3`, and the `and` instruction starts IF. In the fourth clock cycle (bottom datapath), `lw` moves into MEM stage, reading memory using the value in EX/MEM as the address. In the same clock cycle, the ALU subtracts `$3` from `$2` and places the difference into EX/MEM registers `$4` and `$5` are read during ID and the `or` instruction enters IF. The two diagrams show the control signals being created in the ID stage and peeled off as they are used in subsequent pipe stages.

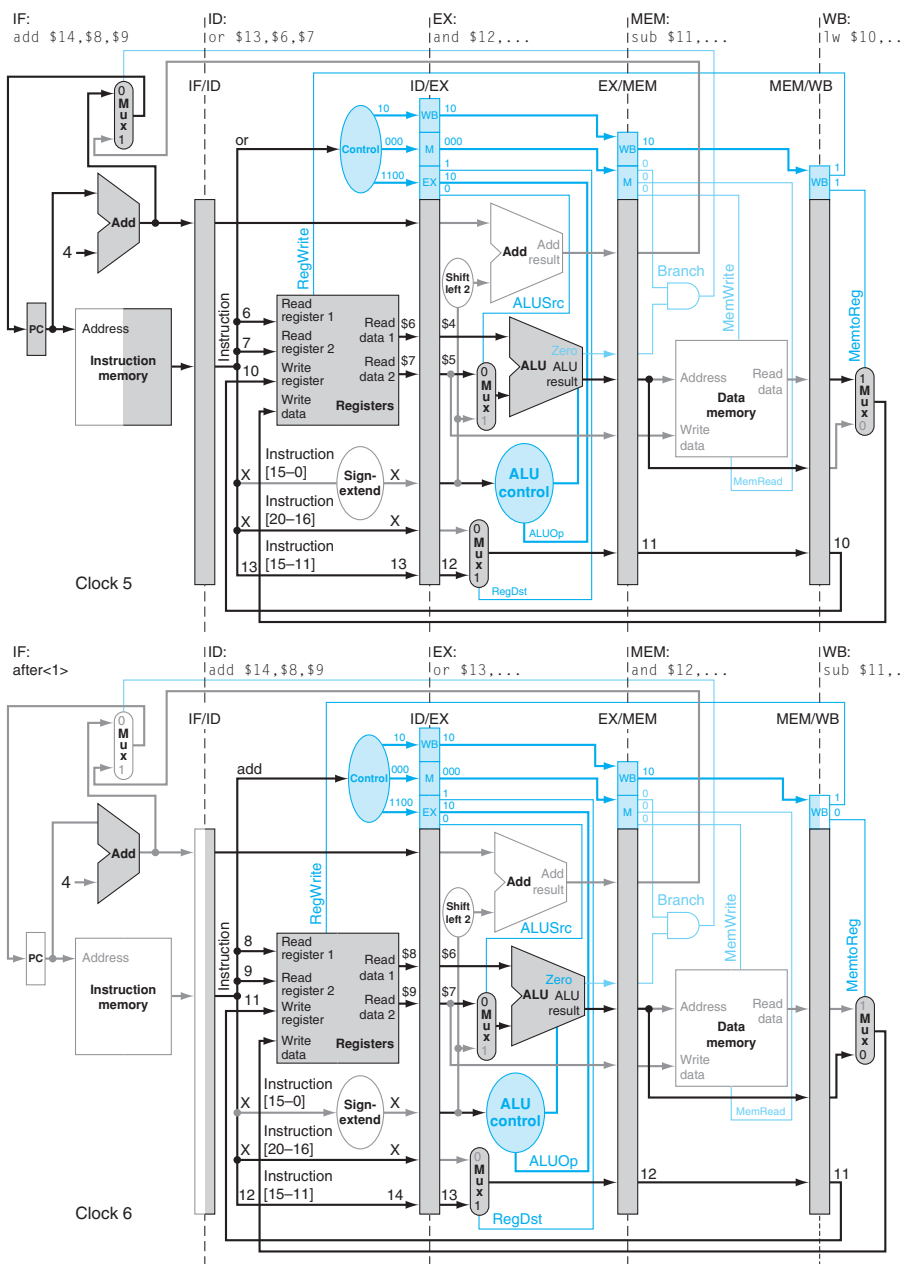


FIGURE 4.12.13 Clock cycles 5 and 6. With `add`, the final instruction in this example, entering IF in the top datapath, all instructions are engaged. By writing the data in MEM/WB into register 10, `lw` completes; both the data and the register number are in MEM/WB. In the same clock cycle, `sub` sends the difference in EX/MEM to MEM/WB, and the rest of the instructions move forward. In the next clock cycle, `sub` selects the value in MEM/WB to write to register number 11, again found in MEM/WB. The remaining instructions play follow-the-leader: the ALU calculates the OR of \$6 and \$7 for the `or` instruction in the EX stage, and registers \$8 and \$9 are read in the ID stage for the `add` instruction. The instructions after `add` are shown as inactive just to emphasize what occurs for the five instructions in the example. The phrase “after<*i*>” means the *i*th instruction after `add`.

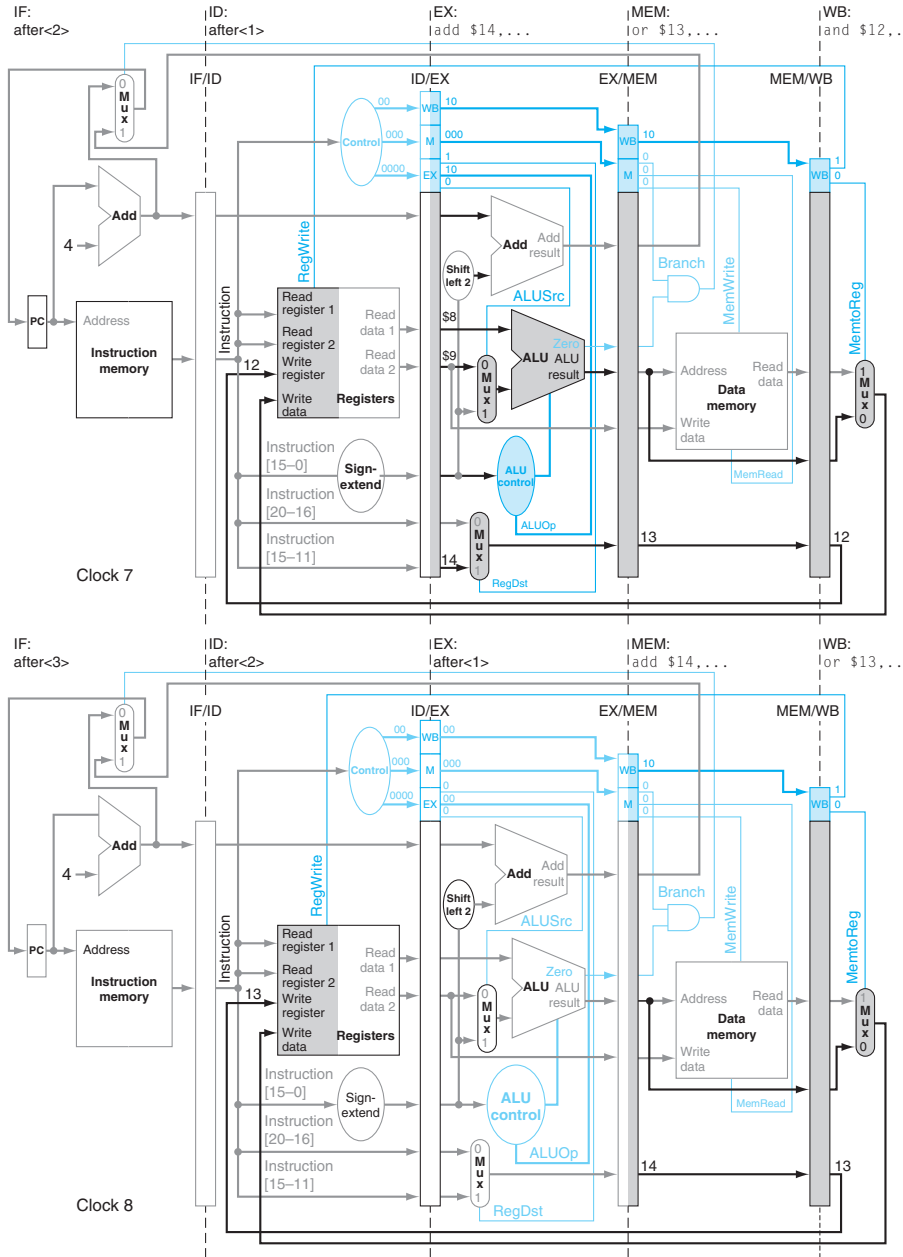


FIGURE 4.12.14 Clock cycles 7 and 8. In the top datapath, the `add` instruction brings up the rear, adding the values corresponding to registers \$8 and \$9 during the EX stage. The result of the `or` instruction is passed from EX/MEM to MEM/WB in the MEM stage, and the WB stage writes the result of the `and` instruction in MEM/WB to register \$12. Note that the control signals are deasserted (set to 0) in the ID stage, since no instruction is being executed. In the following clock cycle (lower drawing), the WB stage writes the result to register \$13, thereby completing `or`, and the MEM stage passes the sum from the `add` in EX/MEM to MEM/WB. The instructions after `add` are shown as inactive for pedagogical reasons.

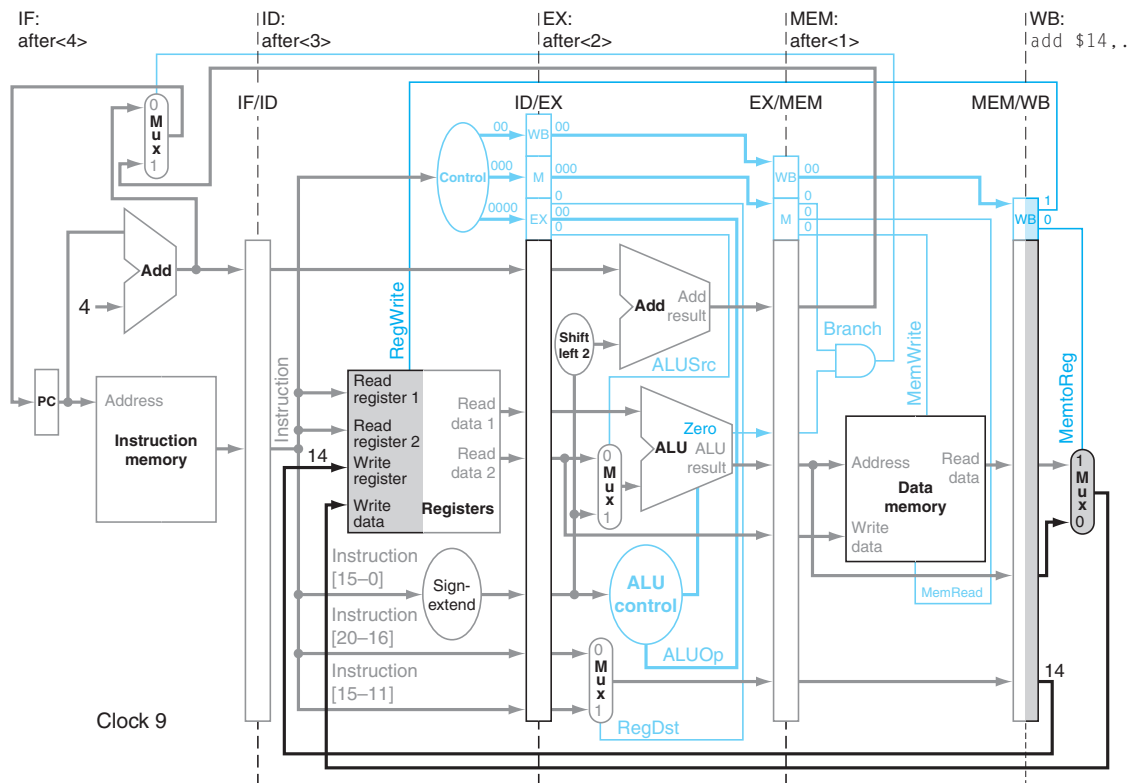


FIGURE 4.12.15 Clock cycle 9. The WB stage writes the sum in MEM/WB into register \$14, completing add and the five-instruction sequence. The instructions after add are shown as inactive for pedagogical reasons.

stage and identifying the instruction associated with each stage during a clock cycle. If you examine them carefully, you may notice:

- In Figure 4.12.13 you can see the sequence of the destination register numbers from left to right at the bottom of the pipeline registers. The numbers advance to the right during each clock cycle, with the MEM/WB pipeline register supplying the number of the register written during the WB stage.
- When a stage is inactive, the values of control lines that are deasserted are shown as 0 or X (for don't care).
- Sequencing of control is embedded in the pipeline structure itself. First, all instructions take the same number of clock cycles, so there is no special control for instruction duration. Second, all control information is computed during instruction decode and then passed along by the pipeline registers.

Forwarding Illustrations

We can use the single-clock-cycle pipeline diagrams to show how forwarding operates, as well as how the control activates the forwarding paths. Consider the following code sequence in which the dependences have been highlighted:

```

sub    $2, $1, $3
and    $4, $2, $5
or     $4, $4, $2
add    $9, $4, $2

```

Figures 4.12.16 and 4.12.17 show the events in clock cycles 3–6 in the execution of these instructions.

In clock cycle 4, the forwarding unit sees the writing by the `sub` instruction of register \$2 in the MEM stage, while the `and` instruction in the EX stage is reading register \$2. The forwarding unit selects the EX/MEM pipeline register instead of the ID/EX pipeline register as the upper input to the ALU to get the proper value for register \$2. The following `or` instruction reads register \$4, which is written by the `and` instruction, and register \$2, which is written by the `sub` instruction.

Thus, in clock cycle 5, the forwarding unit selects the EX/MEM pipeline register for the upper input to the ALU and the MEM/WB pipeline register for the lower input to the ALU. The following `add` instruction reads both register \$4, the target of the `and` instruction, and register \$2, which the `sub` instruction has already written. Notice that the prior two instructions both write register \$4, so the forwarding unit must pick the immediately preceding one (MEM stage).

In clock cycle 6, the forwarding unit thus selects the EX/MEM pipeline register, containing the result of the `or` instruction, for the upper ALU input but uses the nonforwarding register value for the lower input to the ALU.

Illustrating Pipelines with Stalls and Forwarding

We can use the single-clock-cycle pipeline diagrams to show how the control for stalls works. Figures 4.12.18 through 4.12.20 show the single-cycle diagram for clocks 2 through 7 for the following code sequence (dependences highlighted):

```

lw     $2, 20($1)
and    $4, $2, $5
or     $4, $4, $2
add    $9, $4, $2

```

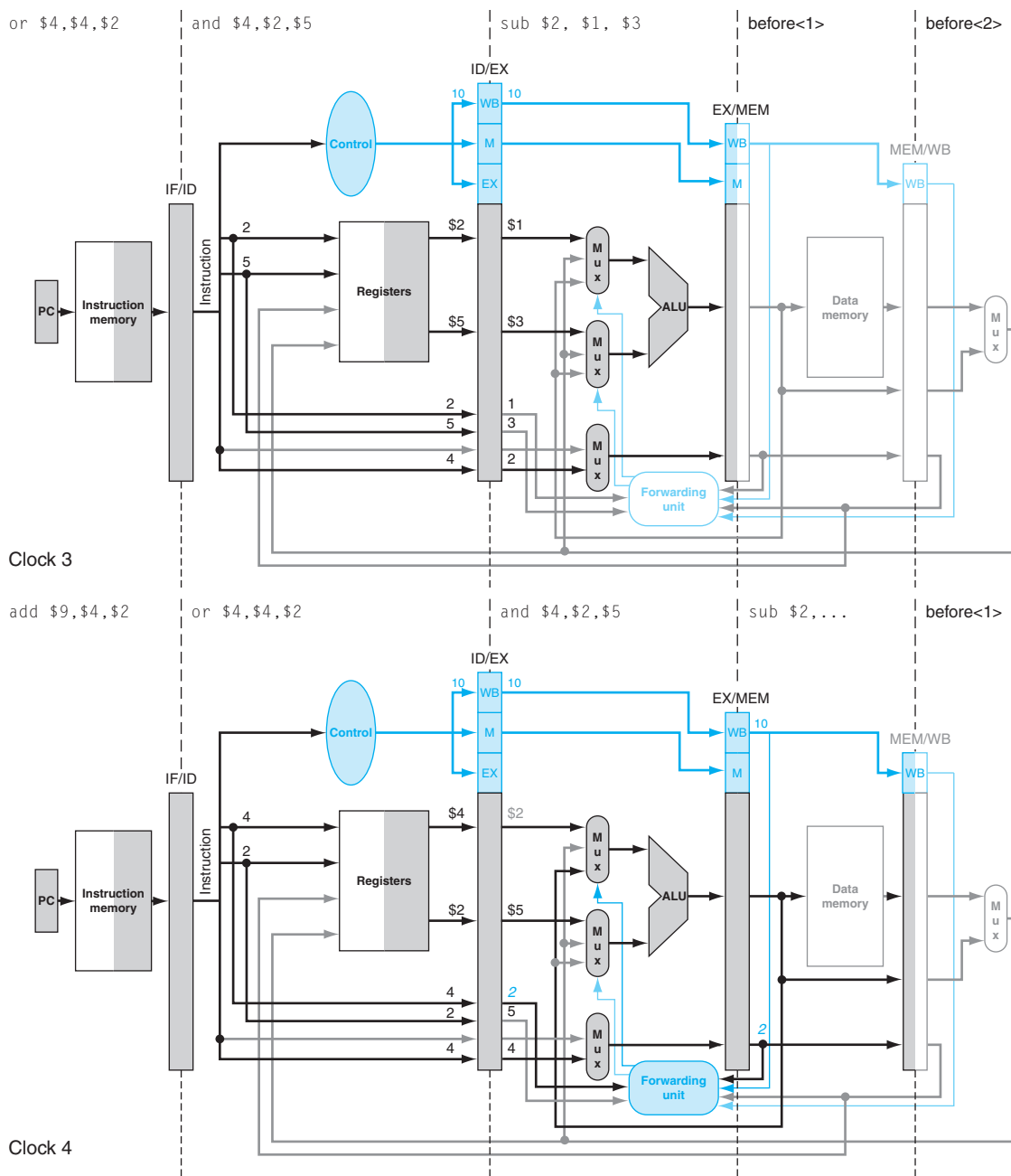


FIGURE 4.12.16 Clock cycles 3 and 4 of the instruction sequence on page 4.12-25. The bold lines are those active in a clock cycle, and the italicized register numbers in color indicate a hazard. The forwarding unit is highlighted by shading it when it is forwarding data to the ALU. The instructions before `sub` are shown as inactive just to emphasize what occurs for the four instructions in the example. Operand names are used in EX for control of forwarding; thus they are included in the instruction label for EX. Operand names are not needed in MEM or WB, so ... is used. Compare this with Figures 4.12.12 through 4.12.15, which show the datapath without forwarding where ID is the last stage to need operand information.

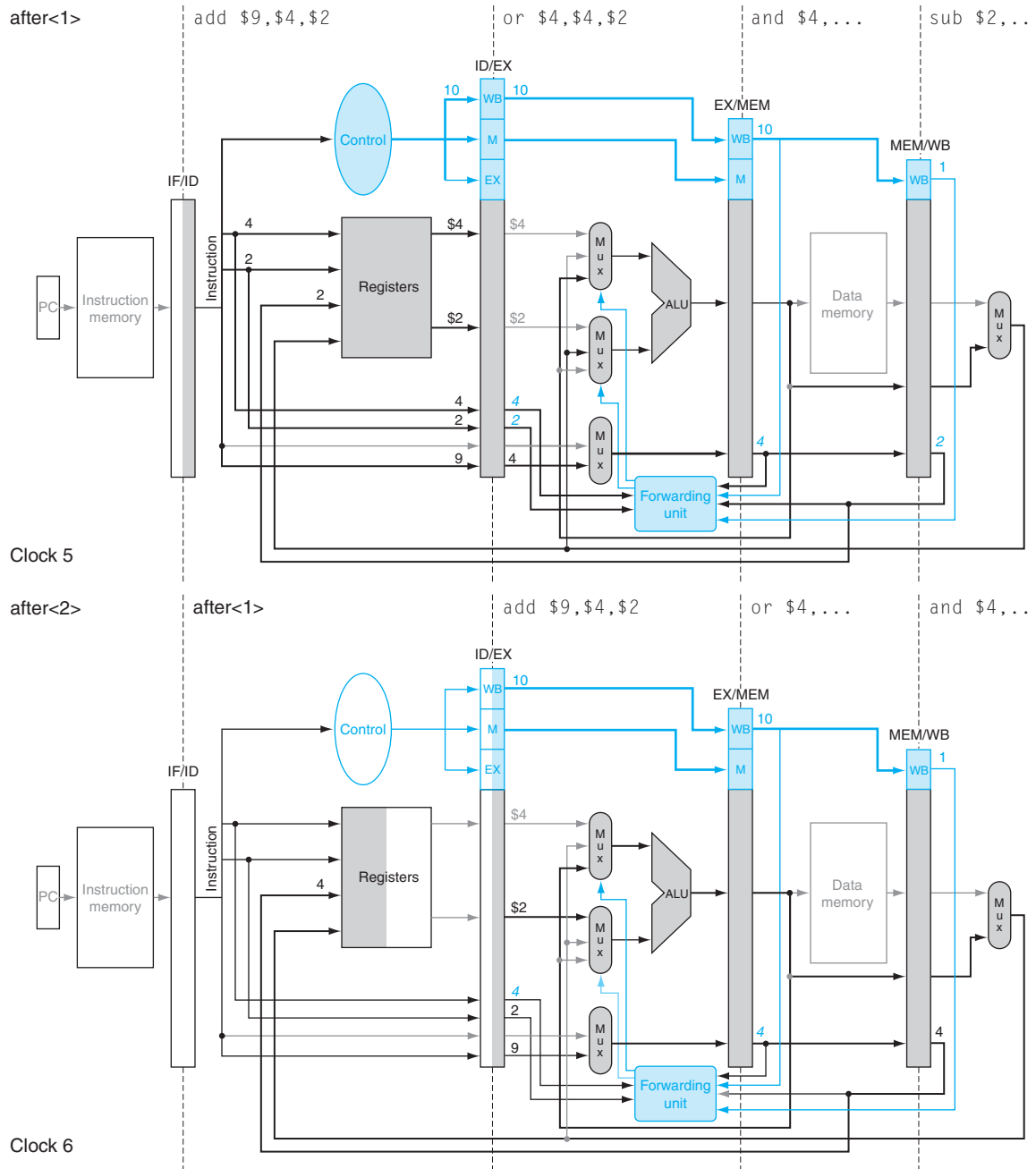


FIGURE 4.12.17 Clock cycles 5 and 6 of the instruction sequence on page 4.12-25. The forwarding unit is highlighted when it is forwarding data to the ALU. The two instructions after *add* are shown as inactive just to emphasize what occurs for the four instructions in the example. The bold lines are those active in a clock cycle, and the italicized register numbers in color indicate a hazard.

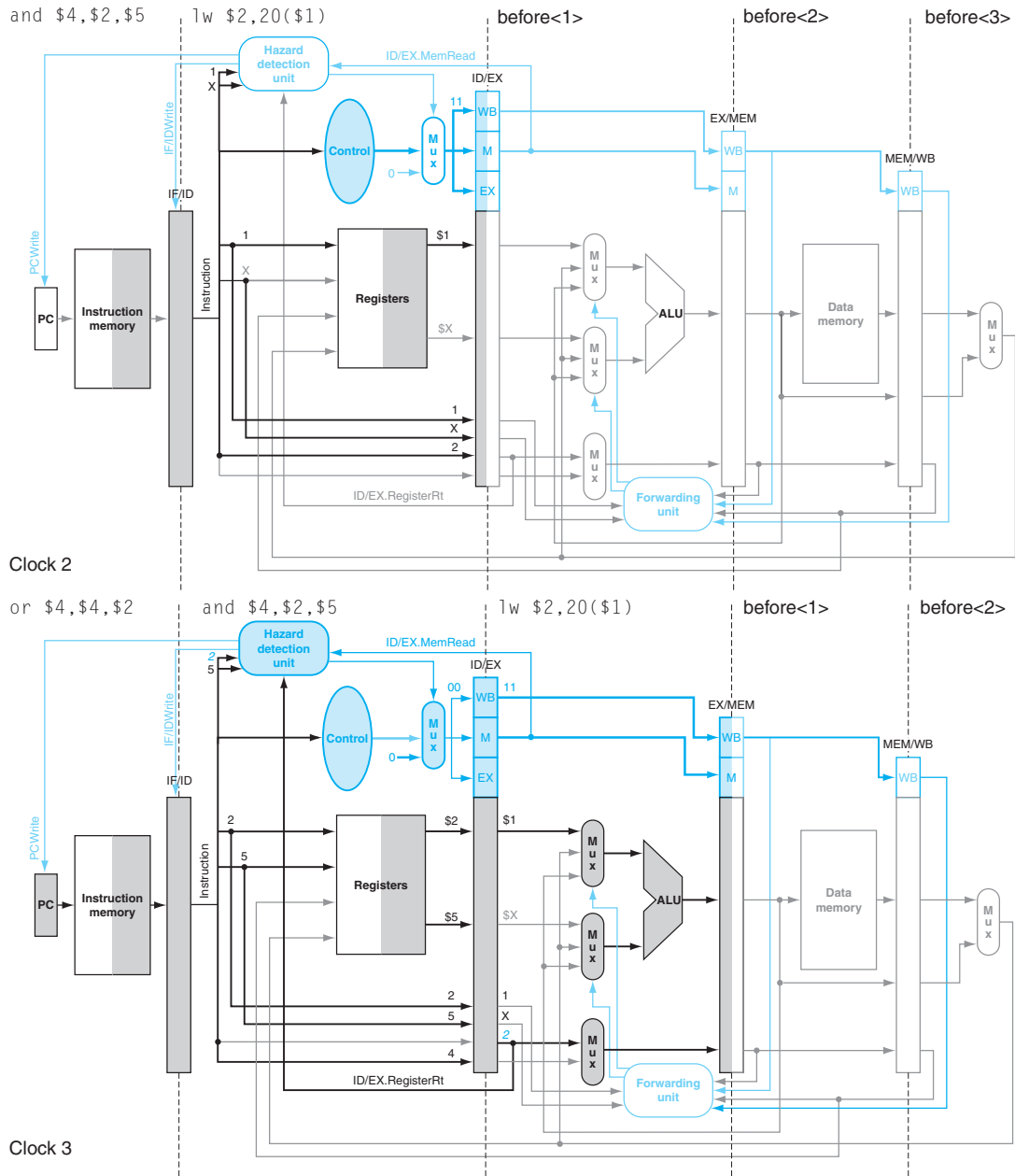


FIGURE 4.12.18 Clock cycles 2 and 3 of the instruction sequence on page 4.12-25 with a load replacing `sub`. The bold lines are those active in a clock cycle, the italicized register numbers in color indicate a hazard, and the ... in the place of operands means that their identity is information not needed by that stage. The values of the significant control lines, registers, and register numbers are labeled in the figures. The `and` and `or` instructions want to read the value created by the `lw` instruction in clock cycle 3, so the hazard detection unit stalls the `and` and `or` instructions. Hence, the hazard detection unit is highlighted.

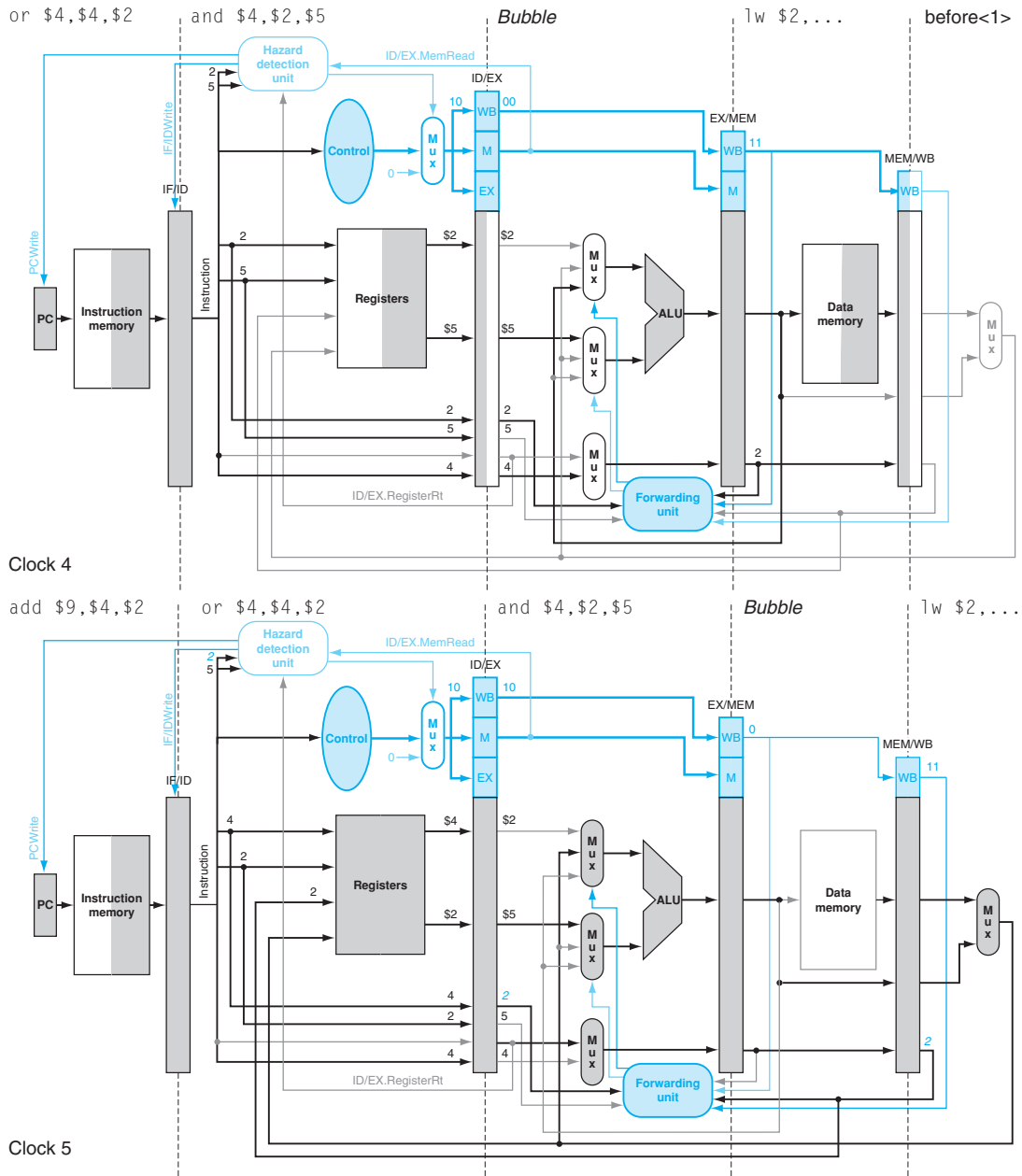


FIGURE 4.12.19 Clock cycles 4 and 5 of the instruction sequence on page 4.12-25 with a load replacing *sub*. The bubble is inserted in the pipeline in clock cycle 4, and then the *and* instruction is allowed to proceed in clock cycle 5. The forwarding unit is highlighted in clock cycle 5 because it is forwarding data from *lw* to the ALU. Note that in clock cycle 4, the forwarding unit forwards the address of the *lw* as if it were the contents of register \$2; this is rendered harmless by the insertion of the bubble. The bold lines are those active in a clock cycle, and the italicized register numbers in color indicate a hazard.

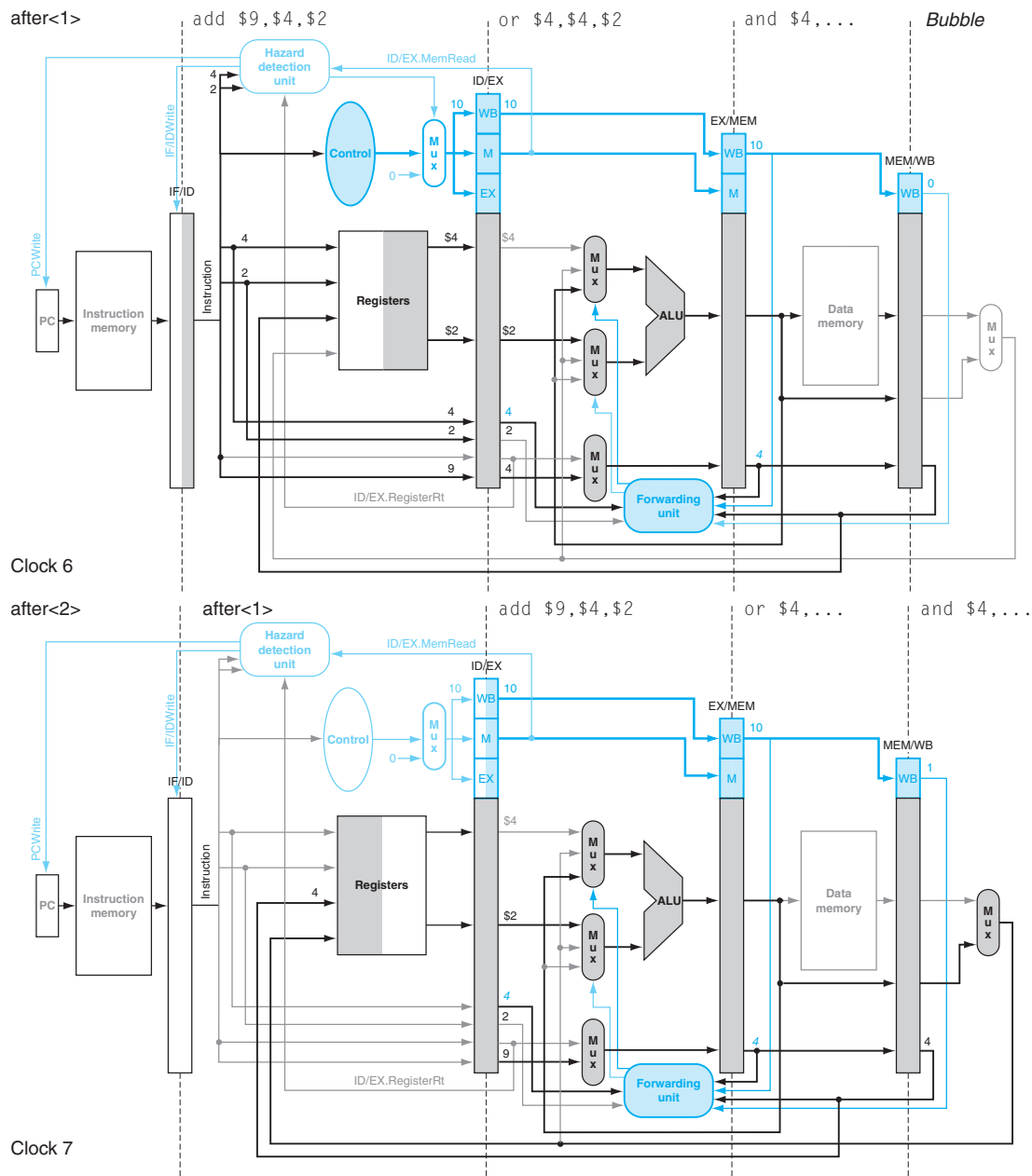


FIGURE 4.12.20 Clock cycles 6 and 7 of the instruction sequence on page 4.12-25 with a load replacing sub. Note that unlike in Figure 4.12.17, the stall allows the 1w to complete, and so there is no forwarding from MEM/WB in clock cycle 6. Register \$4 for the add in the EX stage still depends on the result from or in EX/MEM, so the forwarding unit passes the result to the ALU. The bold lines show ALU input lines active in a clock cycle, and the italicized register numbers indicate a hazard. The instructions after add are shown as inactive for pedagogical reasons.